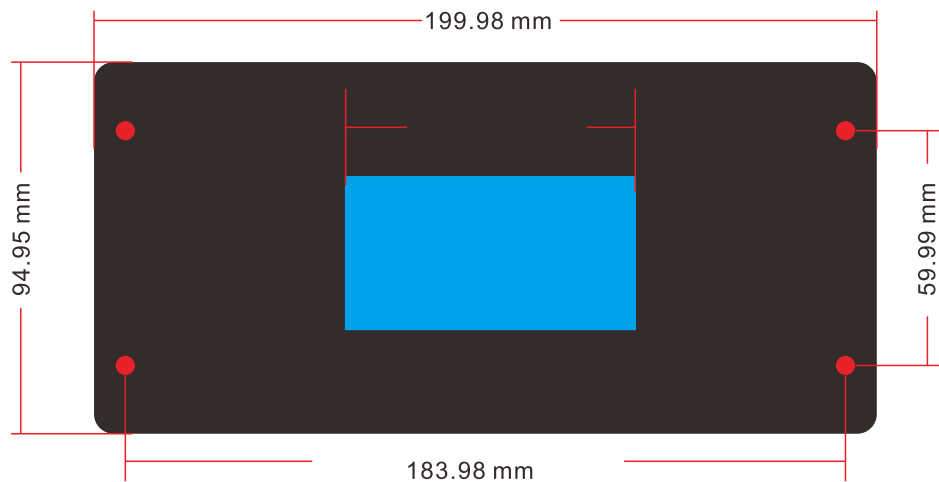
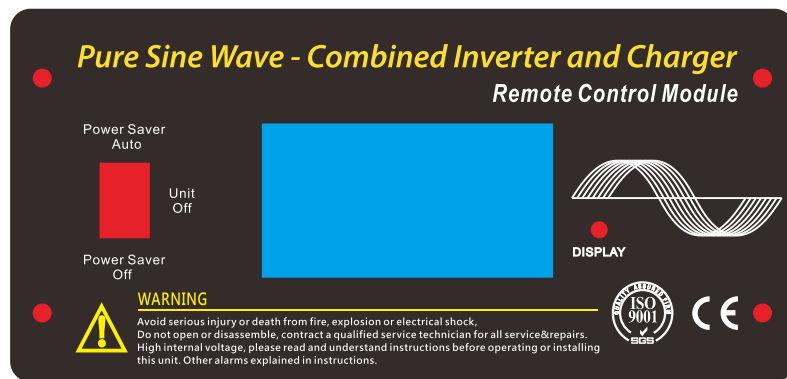


Remote Control Module Instruction

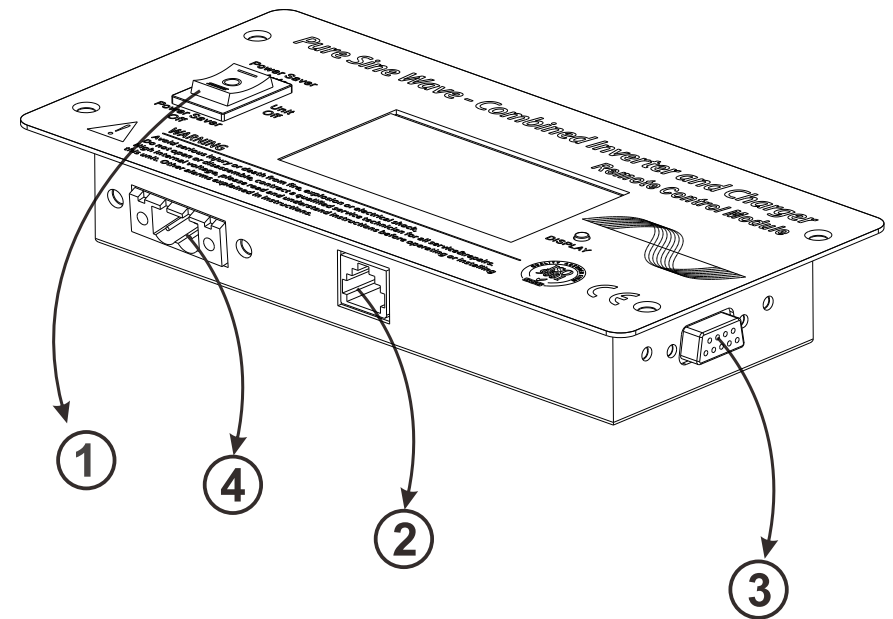


1. Overall Dimensions



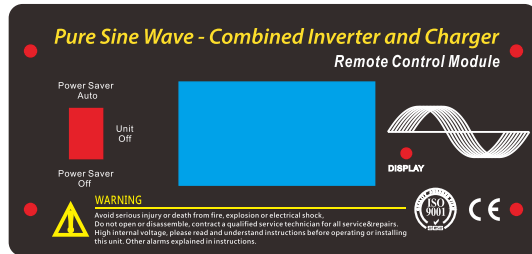
2. Front Impression Drawing

3. Function Description Drawing



- ① Power Switch ON&OFF
- ② RJ45 Port (Remote Control)
- ③ RS232 Port (Optional)
- ④ Remote Control Dry Contact
The 2 pin dry contact allows users to power on/off the inverter remotely via a relay.
To ensure the normal operation of the remote panel, this dry contact must be constantly closed.
When the inverter power switch is "on"(either power saver off or power saver on), and the dry contact gets open from close, the inverter will be powered off (unit off).
Closing the dry contact again will power the inverter on.
It works with the Sigineer DC voltage detector and can control the inverter at preset voltages.

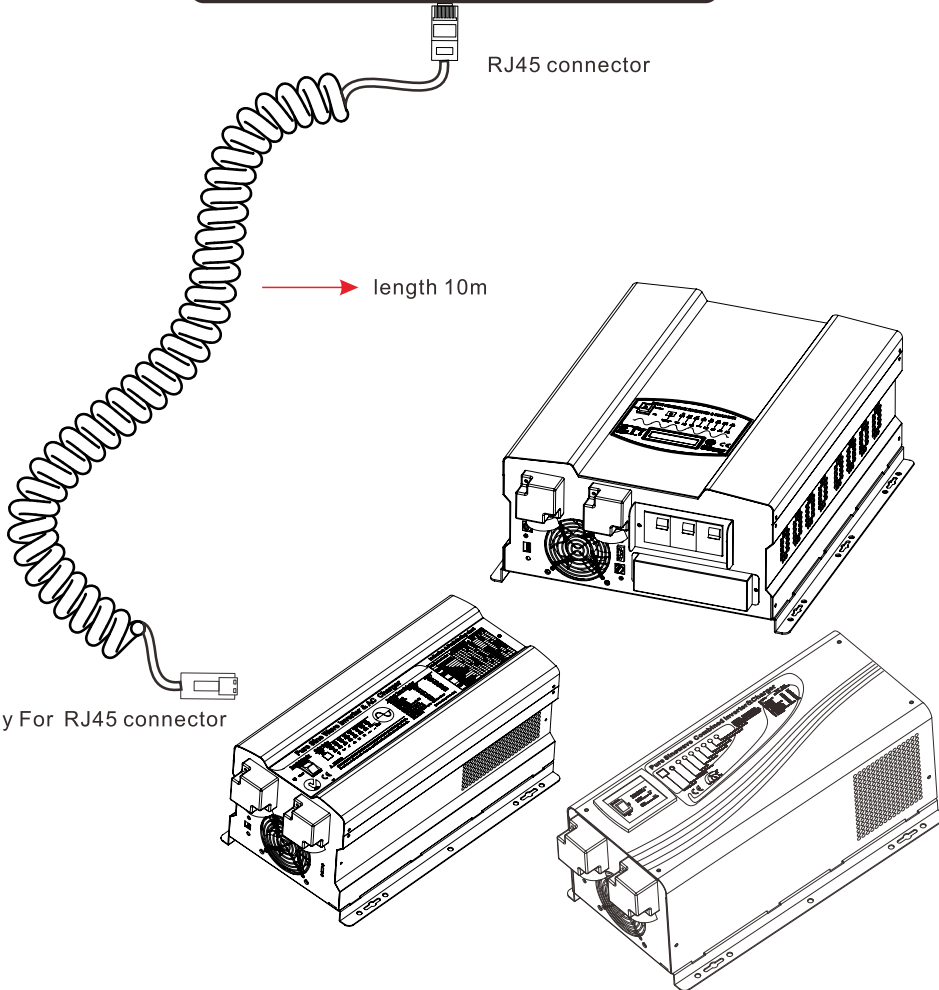
4. Connection Diagram



RJ45 connector

length 10m

Only For RJ45 connector



5. LCD Display

SYSTEM OVERVIEW

Input AC: 000 V Output AC: 000 V

Batt DC: 0000 V Output Freq: 0000Hz

Output Load: 000% Work mode: Online

Alarm: NO

Fault: NO



Input Ac: Real AC Input Line Voltage

Batt Dc: Real Battery Voltage Or Charging Voltage

Output Load: Real AC Load Percentage

Alarm: Yes Or No (Ref Manual)

Fault: Yes Or No (Ref Manual)

Output Ac: Real AC Output Voltage

Output Freq: 50Hz Or 60Hz

Work Mode: Online Or Inverter

